

Features

- Measuring Frequency
- Output signal programmable by dip-switch
- Low output ripple
- High impulse & Surge protection
- High stability & low cost
- CE certification



Ordering Information

CF		Input Type	Input Level	Output	Aux. Power				
CODE	Input Frequency	CODE	Input Level	CODE	Output Range	CODE	Output Range	CODE	Aux. Power
4	45 ~ 55 Hz	1	110 V	A1	0~1 mA	V1	0~1 V	ADH	AC85~264V
5	55 ~ 65 Hz	2	220 V	A3	0~10 mA	V2	0~5 V	ADL	DC100~300V
6	45 ~ 65 Hz	3	380 V	A4	0~20 mA	V3	0~ 10V	AS	AC/DC20~56V
		4	416 V	A5	4~20 mA	V4	1~5 V		Self Powered

Technical Specification

Input: Frequency

Input Range		Input Burden
Frequency	Voltage	
45 - 55 Hz	110V ±20%	≤ 0.15VA
55 - 65 Hz	220V ±20%	
45 - 65 Hz	380V ±20%	
45 - 65 Hz	416V ±20%	

OUTPUT: Current or Voltage O/P Programming by Dip Switch inside

Output Range	Load Resistance	Output Resistance	Output Ripple
0 ~ 1 V	≥ 500Ω	≤ 0.001Ω	≤ 0.2% of F.S.
0 ~ 5 V	≥ 500Ω		
0 ~ 10 V	≥ 1000Ω		
1 ~ 5 V	≥ 500Ω		
2 ~ 10 V	≥ 1000Ω	≥ 20MΩ	
0 ~ 1 mA	0 ~ 12KΩ		
0 ~ 10 mA	0 ~ 1200Ω		
0 ~ 20 mA	0 ~ 600Ω		
4 ~ 20 mA	0 ~ 600Ω	≥ 6MΩ	

Accuracy : ≤ ±0.1% of F.S.
 Input over capability: Voltage: 1.5 x rated continuous
 2 x rated for 10 seconds
 4 x rated for 2 seconds

Response time: ≤ 250 ms
 Span adjustment: ≤ ±5% of F.S. (or ±20% of F.S. specify)
 Zero adjustment: ≤ ±2% of F.S. (or ±20% of F.S. specify)
 Output load effect: Current output ≤ 0.1% of F.S.
 Voltage output ≤ 0.05% of F.S.

Power Supply

Power supply: ADH : AC 85~264V; DC 100~300V
 ADL : AC / DC 20~56V
 Self Powered: Interior connection from input

Volt, Working Volt: ±15% rated of input voltage
 Power effect: ≤ 0.05% of F.S.
 Power consumption: ≤ 10 VA
 Mutual interference effect: ≤ 0.1% of F.S.
 Magnetic field strength: 400ATM ≤ 0.2% of F.S.

Environmental Conditions

Operating temperature: 0~60°C
 Operating relative humidity:20~95 %RH, non-condensing
 Temperature coefficient: ≤ 100 PPM/°C
 Storage temperature: -10~70°C

Electrical Safety

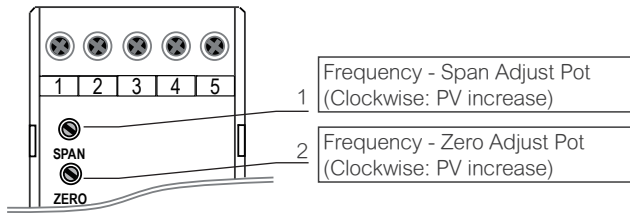
Dielectric Strength: IEC 414, IEC 688:1992, ANSI C37.90a
 Between Input / Output / Power / Case
 AC 4KV, 50/60Hz, 1 min.
 Surge test: IEC 255-4, ANSI C37.90a
 6KV, 1.2 x 50 μ sec.
 Common mode & differential mode
 Insulation resistance: ≥ 100MΩ, DC 500V
 Safety: IEC 414, BS 5458
 Enclosure: IEC 529 (IP50)
 Certification Standard: IEC 60688
 CE: EMC:EN61326:2003
 Safety(LVD): EN61010:2001

Mechanical Structure

Case material: ABS Non-flammable (UL 94V-0)
 Mounting: Wall or DIN rail (EN 50022)
 Weight: under 450g

Adjustment

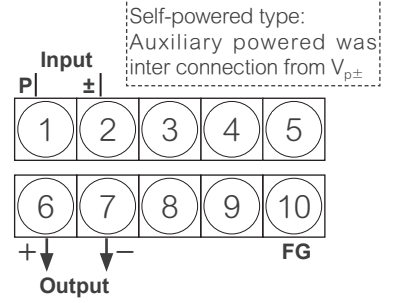
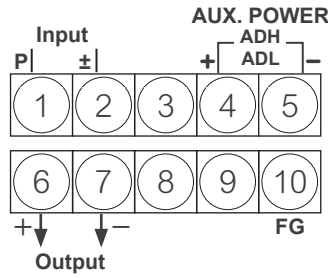
Frequency



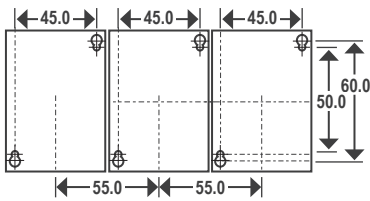
Pin Assignment

• 1Φ2W (Aux. Powered)

• 1Φ2W (Self Powered)



Installation

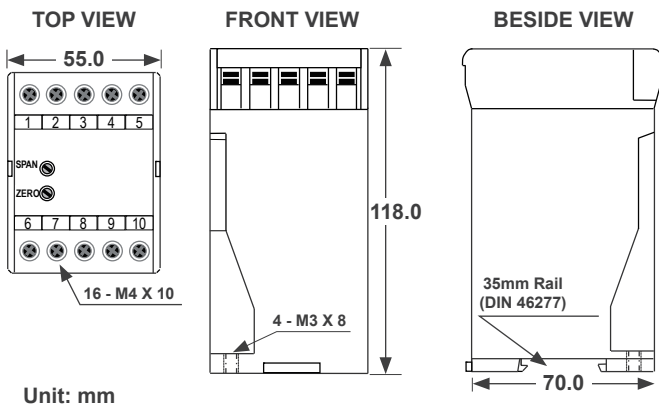


Unit: mm

Output Range Programming

OUTPUT	Dis Switch							
	1	2	3	4	5	6	7	8
0 ~ 1 mA					on			
0 ~ 10 mA					on	on		
0 ~ 20 mA					on		on	
4 ~ 20 mA	on				on		on	
0 ~ 1 V		on	on	on				on
0 ~ 5 V			on	on				on
0 ~ 10 V				on				on
1 ~ 5 V	on		on	on				on
2 ~ 10 V	on			on				on

Dimensions



Unit: mm



Regional Distributor

Amtron (S) Pte Ltd
 2 Sims Close, #01-05, GEMINI@SIMS
 Singapore 387298
 Tel: +65 6347 8800
 Email: business@amtron.com.sg
 Website: amtron.com.sg