



Pressure clamp connectors

Dynamic heating up

Wide voltage range

Temperature limiting

Clip fixing

Energy saving

Quick installation

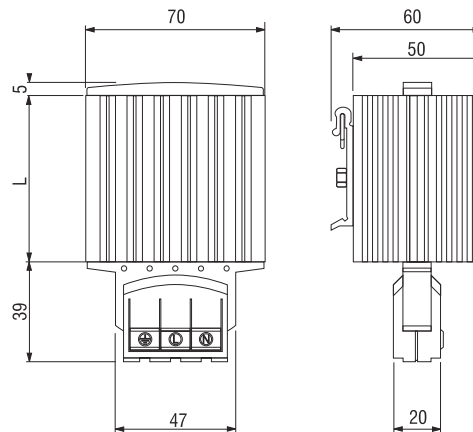
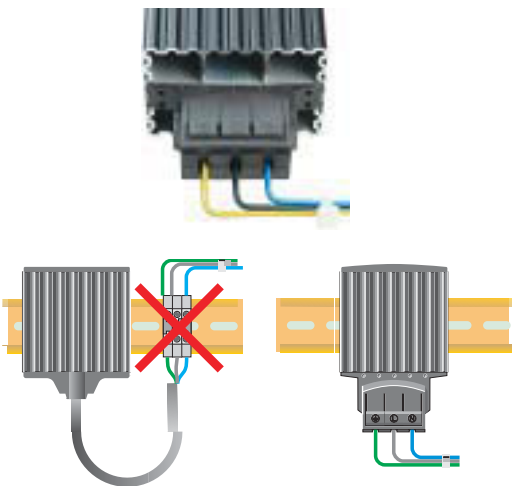
These heaters are used in enclosures where damage from condensation must be prevented, or where the temperature may not fall below a minimum value. The aluminium profile heater body design has a chimney effect and distributes the heat evenly. The pressure clamp connectors save time and simplify installation.



Technical Data

Operating voltage	120-250V AC/DC*
Heating element	PTC resistor, self regulating and temperature limiting
Heater body	extruded aluminium profile, anodised
Connection	3 pressure clamps for stranded wire 0.5-1.5mm ² (with wire end ferrule) and rigid wire 0.5-2.5mm ²
Connection casing	plastic according to UL94 V-0, black
Mounting	clip for 35mm DIN rail, EN 50022
Fitting position	vertical
Operating/Storage temperature	-45 to +70°C (-49 to +158°F)
Protection type / Protection class	IP20 / I (earthed)
Accessories	screw fixing, Art. No. 09024.0-00 (1 packing unit = 2 pieces)

*Operating with voltages below 140V AC/DC reduces heating performance by approx. 10%.



Art. No.	Operating Voltage	Heating Capacity	Max. Inrush Current	Length (L)	Connection Method	Approval
DM 140100	AC/DC 110-230V	100W	4.5A	140mm	3 pressure clamps stranded wire 0.5-1.5mm ²	VDE
DM 140150	AC/DC 110-230V	150W	9.0A	140mm		