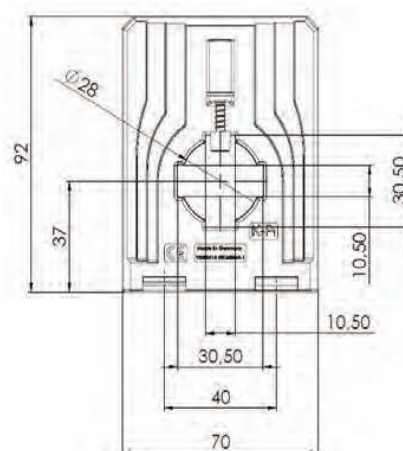
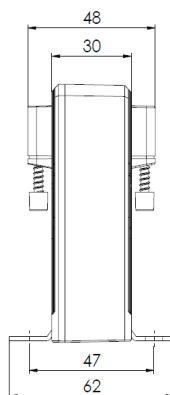


CCT 31.3 RMS (Compensation current transformer, MBS All current sensors) Current transformers for the measurement of direct and alternating currents

- For measuring of non-sinusoidal and distorted networks
- As a measuring transducer for the direct input wiring of SPS input cards



Additional accessories:
Snap-on mounting to clip onto
35 mm DIN rail (Art.-no. 53011)

Dimensions:	Applicable technical standards:	Electric connections:
Bus bar: 30x10 mm	DIN EN 50178, 1997	$U_H + 0$ (Ground) I_A
Round conductor: 28 mm	DIN EN 61010-1, 2002	Spring clamp terminal
Transformer width: 70 mm	VDE 0160	Connection cross sections: 0.08...2.5 mm ²
Transformer height: 92 mm		
Transformer depth: 48 mm		

Technical data:	
Measuring range:	0...300 A DC / 0...300 A I_{RMS} AC, depends on varieties! (Nominal current ranges adjusted to standard values according to IEC)
Frequency range:	DC, or AC 20 Hz ... 6 kHz, Peak value factor ≤ 4
Current output:	4...20 mA DC, RMS measurement
Max. burden resistance at current output:	$R_B \leq 500 \Omega$ ($U_H = 24$ V DC)
Current limit under overload:	< 25 mA
Accuracy:	$\pm 1,0 \%$
Max. operating voltage U_m :	0,72 kV, U_{eff}
Isolation test voltage:	6,4 kV, U_{eff} , 50 Hz, 5 sec., primary conductor against measuring output / housing
Auxiliary voltage:	24 V $\pm 15 \%$ DC, < 70 mA, external protection via microfuse 250 mA / 250 V, fast!
Step response time (90 % I_{PN} , $di/dt = 100$ A / μs):	≤ 200 ms (typ. 150 ms)
Signal rise speed di/dt :	< 100 A / μs
Isolation class	E
Protection class	IP 20
Operating altitude	≤ 2000 m (DIN EN 61010-1)
Max. temperature of the primary conductor:	100° C
Operating temperature:	-25° C < T_U < +60° C, 0...95% rH, without condensation
Storage temperature:	-40° C < T_L < +90° C

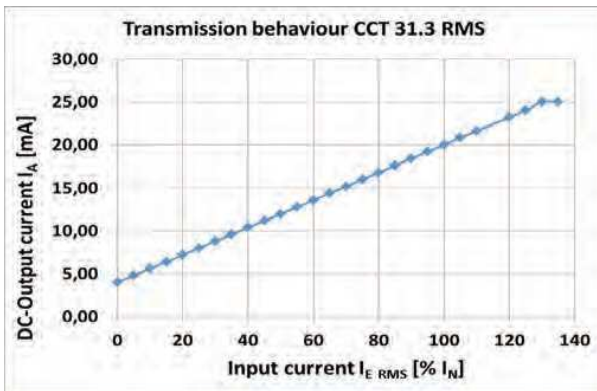
Functions of the CCT 31.3 RMS:

- Electricity is conducted over the magnetic field and is captured by the measuring core. The current induced in the measuring core is proportional to the magnetic flow and is captured by a semi-conductor element. An integrated electronic control unit converts the semi-control signal into a true effective value of the measuring size in proportion to the DC output current signal. The true effective value is calculated by the delta-sigma-method.
- A contactless inductive captured parameter creates a galvanically separated output signal.
- Electrical contact with the secondary circuit of the current transformer is achieved by means of a 4-pole spring-clamp. This clamp is suitable for connection to a flexible conductor up to 2.5 mm².
- A DC auxiliary voltage of 24 V is required to supply the electronic controls. The auxiliary voltage input must be secured by a HRC fuse size of 250 mA / 250 V/F.

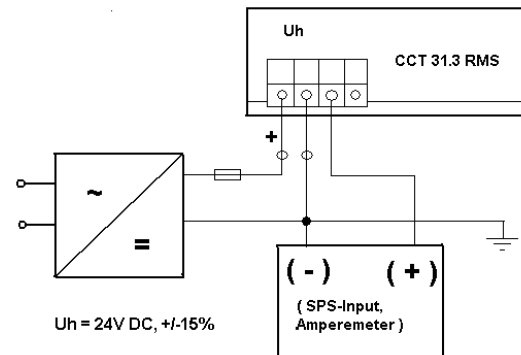
Advantages and benefits of the CCT 31.3 RMS:

- Measuring of direct current as well as alternating current with only one current transformer is possible.
- Exact calculation of the true effective value of any temporal process of the current which is to be measured.
- Large working frequency range from 0 Hz (DC) or 20 Hz...6 kHz (AC).
- High electric protection of the galvanically isolated capture of the measured variable.
- Low power-consumption (≤ 2.5 VA)
- Easy and safety electrical connection by means of spring clamp terminal.
- Direct mounting onto the bus bar by means of integrated fixing screws which are part of the unit.
- Mounting onto 35 mm DIN-rail by means of optional supply of snap-on mounting.
- High climatic and mechanical durability, PU-resin hardened enclosures of all electrical components.

Transfer ratio of the CCT 31.3 RMS:



Wiring Diagram of the CCT 31.3 RMS:



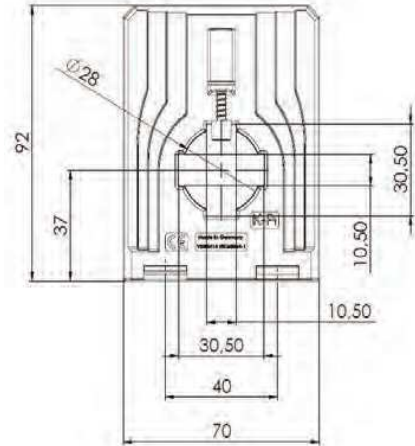
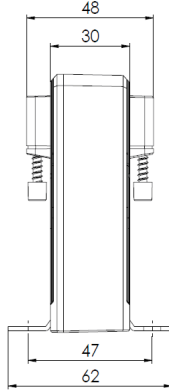
Order list:

Type	Primary current I_{RMS} [A]	Art.-no.	Current output
CCT 31.3 RMS	50	1103-10001	4...20 mA DC
	100	1103-10003	
	150	1103-10005	
	200	1103-10006	
	250	1103-10007	
	300	1103-10008	

CCT 31.3 I (Compensation current transformer, MBS All current sensors)

Current transformers for the measurement of direct and alternating currents

- For network analysis, monitoring,
- and measuring of non-sinusoidal and distorted networks



Additional accessories:
Snap-on mounting to clip onto 35 mm DIN rail (Art.-no. 53011)

Dimensions:	Applicable technical standards:	Electric connections:
Bus bar: 30x10 mm	DIN EN 50178, 1997	$U_H + 0$ (Ground) I_A
Round conductor: 28 mm	DIN EN 61010-1, 2002	Spring clamp terminal
Transformer width: 70 mm	VDE 0160	Connection cross sections: 0.08...2.5 mm ²
Transformer height: 92 mm		
Transformer depth: 48 mm		

Technical data:	
Measuring range:	0...300 A DC / AC I_{eff} , depends on varieties! (Nominal current ranges adjusted to standard values according to IEC)
Frequency range:	0...100 % H_i , any signal curves
Current output at AC-input signal:	AC: 0...20 mA I_{eff} , (± 28.2843 mA I_{Peak})
Current output at DC-input signal:	DC: 0... ± 20 mA
Max. burden resistance at current output:	$R_B \leq 200 \Omega$ ($U_H = 24$ V DC)
Current limit under overload:	< 25 mA
Accuracy:	$\pm 0,5$ %
Max. operating voltage U_m :	0,72 kV, U_{eff}
Isolation test voltage:	6,4 kV, U_{eff} , 50 Hz, 5 sec., primary conductor against measuring output / housing
Auxiliary voltage:	± 12 V DC, $\pm 15\%$ < 70 mA, external protection via microfuse 100 mA / 250 V, fast!
Energia response time (90 % I_{PN} , $di/dt = 100$ A / μs):	$\leq 1 \mu s$ (typ. 150 ns)
Signal rise velocity di/dt :	< 100 A / μs
Isolation class	E
Protection class	IP 20
Operating altitude	≤ 2000 m (DIN EN 61010-1)
Max. temperature of the primary conductor:	100° C
Operating temperature:	-25° C < T_U < +60° C, 0...95% H_i , without condensation
Storage temperature:	-40° C < T_L < +90° C

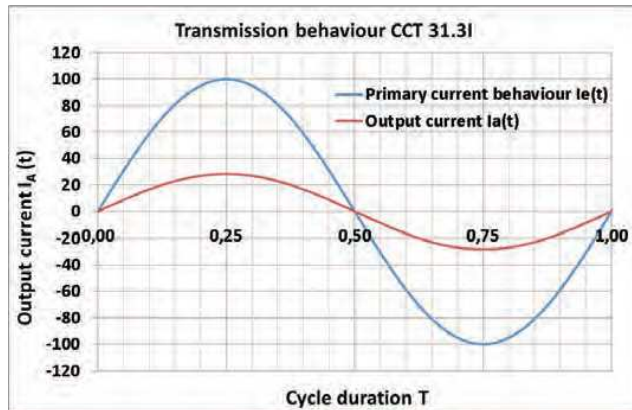
Functions of the CCT 31.3 I:

- Electricity is conducted over the magnetic field and is captured by the measuring core. The current induced in the measuring core is proportional to the primary current and is captured by a semi-conductor element. An integrated electronic control unit converts the semi-control signal into an output current signal, which is directly proportional to the temporal course of the measured primary value.
- A contactless inductive captured parameter creates a galvanically separated output signal.
- Electrical contact with the secondary circuit of the current transformer is achieved by means of a 4-pole-spring-clamp. This clamp is suitable for connection to a flexible conductor up to 2.5 mm².
- A DC auxiliary voltage of ± 12 V is required to supply the electronic controls. The auxiliary voltage input must be secured by a HRC fuse size of 100 mA / 250 V microfuse.

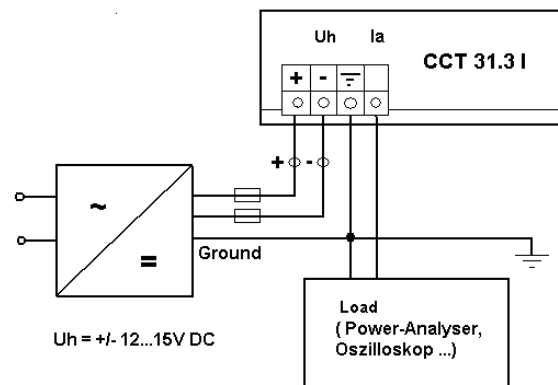
Advantages and benefits of the CCT 31.3 I:

- Measuring of direct current as well as alternating current with only one current transformer is possible.
- Large working frequency range from 0 Hz (DC)...100 kHz (AC).
- High electric protection of the galvanically isolated capture of the measured variable.
- Low power-consumption (≤ 2.5 VA)
- Easy and safety electrical connection by means of spring clamp terminal.
- Direct mounting onto the bus bar by means of integrated fixing screws which are part of the unit.
- Mounting onto 35 mm DIN-rail by means of optional supply of snap-on mounting.
- High climatic and mechanical durability, PU-resin hardened enclosures of all electrical components.

Transfer ratio of the CCT 31.3 I:



Wiring Diagram of the CCT 31.3 I:



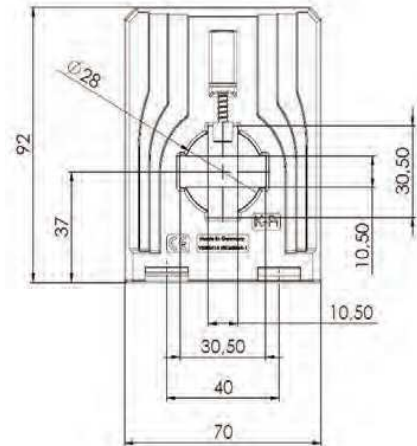
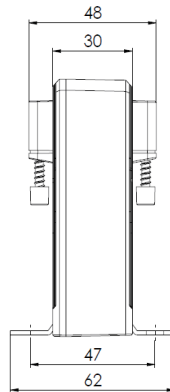
Order list:

Type	Primary current [A] DC / AC (I_{eff})	Art.-no.	Current output
CCT 31.3 I	50	1101-10001	DC: 0... \pm 20mA AC: 0...20 mA I_{eff}
	100	1101-10003	
	150	1101-10005	
	200	1101-10006	
	250	1101-10007	
	300	1101-10008	

CCT 31.3 U (Compensation current transformer, MBS All current sensors)

Current transformers for the measurement of direct and alternating currents

- For network analysis, monitoring,
- and measuring of non-sinusoidal and distorted networks



Additional accessories:
Snap-on mounting to clip onto 35 mm DIN rail (Art.-no. 53011)

Dimensions:

Bus bar: 30x10 mm
Round conductor: 28 mm
Transformer width: 70 mm
Transformer height: 92 mm
Transformer depth: 48 mm

Applicable technical standards:

DIN EN 50178, 1997
DIN EN 61010-1, 2002
VDE 0160

Electric connections:

$U_H +$ 0 (Ground) I_A
Spring clamp terminal
Connection cross sections: 0.08...2.5 mm²

Technical data:

Measuring range:	0...300 A DC / AC I_{eff} , depends on varieties! (Nominal current ranges adjusted to standard values according to IEC)
Frequency range:	0...100 kHz, any signal curves
Voltage output, AC Input:	2,5 ± 1 V, U_{eff} , AC; 2,5 ± 1,414 V (Peak-Peak)
Voltage output, DC Input:	2.5 ± 1 V, DC
Min. burden resistance at current output:	$R_B \geq 100 \text{ k}\Omega$
Current limit under overload:	< 5 V
Accuracy:	± 0,5 %
Max. operating voltage U_m :	0,72 kV, U_{eff}
Isolation test voltage:	6,4 kV, U_{eff} , 50 Hz, 5 sec., primary conductor against measuring output / housing
Auxiliary voltage:	± 12 V DC, ± 15% < 70 mA, external protection via microfuse 100 mA / 250 V, fast!
Energia response time (90 % I_{PN} , $di/dt = 100 \text{ A} / \mu\text{s}$):	≤ 1 μs (typ. 150 ns)
Signal rise velocity di/dt :	< 100 A / μs
Isolation class	E
Protection class	IP 20
Operating altitude	≤ 2000 m (DIN EN 61010-1)
Max. temperature of the primary conductor:	100° C
Operating temperature:	-25° C < T_U < +60° C, 0...95% rH, without condensation
Storage temperature:	-40° C < T_L < +90° C

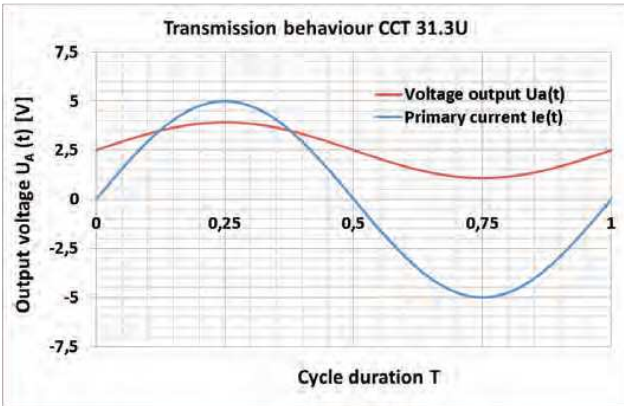
Functions of the CCT 31.3 U:

- Electricity is conducted over the magnetic field and is captured by the measuring core. The current induced in the measuring core is proportional to the primary current and is captured by a semi-conductor element. An integrated electronic control unit converts the semi-control signal into an output voltage signal, which is directly proportional to the temporal course of the measured primary value.
- A contactless inductive captured parameter creates a galvanically separated output signal.
- Electrical contact with the secondary circuit of the current transformer is achieved by means of a 4-pole-spring-clamp. This clamp is suitable for connection to a flexible conductor up to 2.5 mm².
- A DC auxiliary voltage of ± 12 V is required to supply the electronic controls. The auxiliary voltage input must be secured by a HRC fuse size of 100 mA / 250 V microfuse.

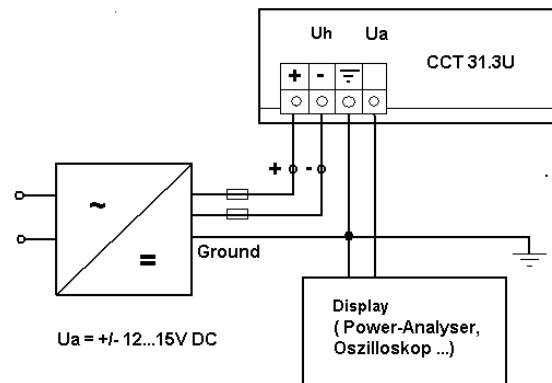
Advantages and benefits of the CCT 31.3 U:

- Measuring of direct current as well as alternating current with only one current transformer is possible.
- Large working frequency range from 0 Hz (DC)... 100 kHz (AC).
- High electric protection of the galvanically isolated capture of the measured variable.
- Low power-consumption (≤ 2.5 VA)
- Easy and safety electrical connection by means of spring clamp terminal.
- Direct mounting onto the bus bar by means of integrated fixing screws which are part of the unit.
- Mounting onto 35 mm DIN-rail by means of optional supply of snap-on mounting.
- High climatic and mechanical durability, PU-resin hardened enclosures of all electrical components.

Transfer ratio of the CCT 31.3 U:



Wiring Diagram of the CCT 31.3 U:



Order list:

Type	Primary current I_{eff} [A] DC / AC (I_{eff})	Art.-no.	Voltage output
CCT 31.3 U	50	1102-10001	DC: $2.5 \pm 1V$ AC: $2.5 \pm 1,414 V$ (Peak-Peak)
	100	1102-10003	
	150	1102-10005	
	200	1102-10006	
	250	1102-10007	
	300	1102-10008	