



Dynamic heating up

Energy saving

Wide voltage range

Temperature limiting

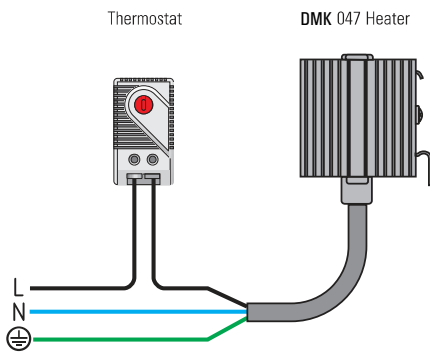
Clip fixing

The heaters are used in enclosures to maintain minimum operating temperatures and to help prevent failure of electronic components caused by condensation and corrosion.

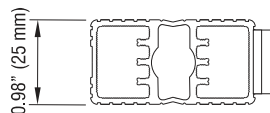
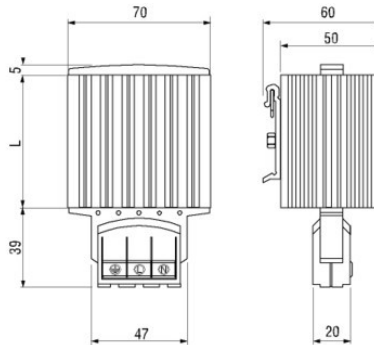


Technical Data

Heating element	PTC resistor - temperature limiting
Heater body	extruded aluminum profile, anodized
Connection	3 x AWG 20 (0.5mm ²), 12" (300mm) length
Mounting	clip for 35mm DIN rail, EN 60 715
Mounting position	vertical
Operating / Storage temperature	-49 to +158°F (-45 to +70°C)
Protection class/ type	IP54



Wiring example



Art. No.	Operating Voltage	Heating Capacity	Max. Inrush Current	Length (L)	Connection Method	Approval
DMK 047015	AC/DC 110-230V	15W	1.5A	65mm	attached 3 x 0.5mm ² x800mm sheathed cable (silicon)	VDE
DMK 047030	AC/DC 110-230V	30W	3.0A	65mm		
DMK 047045	AC/DC 110-230V	45W	3.5A	65mm		
DMK 047050	AC/DC 110-230V	50W	3.5A	80mm		
DMK 047060	AC/DC 110-230V	60W	2.5A	80mm		
DMK 047075	AC/DC 110-230V	75W	4.0A	140mm		