

ACCUEVERGY

HAK Series

Hall Effect DC Current Sensor



D A T A S H E E T

HAK Series

HAK21

Hall Effect DC Current Sensor Datasheet



The HAK Series Hall effect DC current sensors provide precision measurements of DC current up to 200A with a standard 4-20mA or 0-5V output signal for broad compatibility. Featuring a hinged split-core design for fast, easy installation into existing systems, the HAK provides accurate 0.5% measurements for any DC project and is available as either a uni-directional or bi-directional device.

Features

- Accuracy class: 0.5%
- Multiple current input options for wide compatibility
- Two available output options: 4-20mA or 0-5V
- Features a hinged split-core design for fast installation
- Measure up to 200A DC current (depending on model)
- Choose uni-directional or bi-directional measurements



Accuenergy (Canada) Inc.
 Los Angeles - Toronto - Beijing - Pretoria
 North America Toll Free: 1-877-721-8908
 Web: www.accuenergy.com
 Email: marketing@accuenergy.com



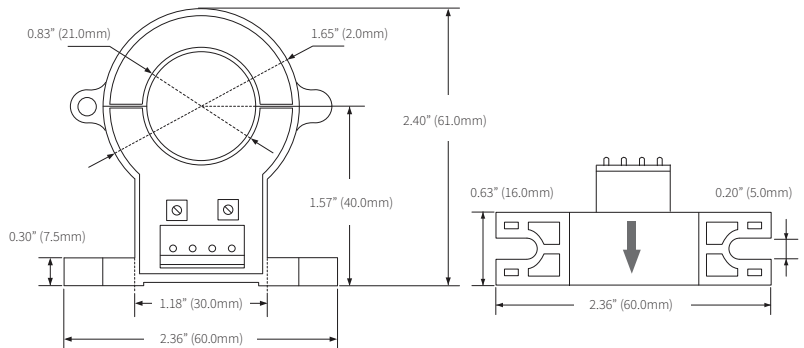
Revision Date: Oct 2021 Version: 1.0.1
 Specs Subject To Change Without Notice



Specifications

RATED CURRENT	
Rated Current	50A, 100A, 200A
Current Range	10-120% of rated current
Output	4-20mA or 0-5V
Accuracy	0.5%
MECHANICAL/ENVIRONMENTAL	
Form Factor	Hinged Split-Core CT
Window Size	Ø 21.0mm (0.83")
Exterior Dimensions	60.0mm x 61.0mm x 16.0mm 2.36" x 2.40" x 0.63"
Case Material	Epoxy encapsulated housing, UL 94V-0
Lead Wires	Terminal Output
Operating Temperature	-10°C to 85°C / 14°F to 185°F
Storage Temperature	-40°C to 90°C / -40°F to 194°F
Operating Humidity	Non-condensing, 0 to 95% RH
Installation Conditions	Indoor Use
ELECTRICAL	
Wire Polarity	Follow markings on terminal block connector
Phase Orientation	Choose: Uni- or Bi-Directional
Frequency Range	DC
Power Supply	±15V
SAFETY/COMPLIANCE	
Dielectric Strength	5,000V RMS @ 50HZ for 1 minute
Certifications	CE, RoHS

Dimensions



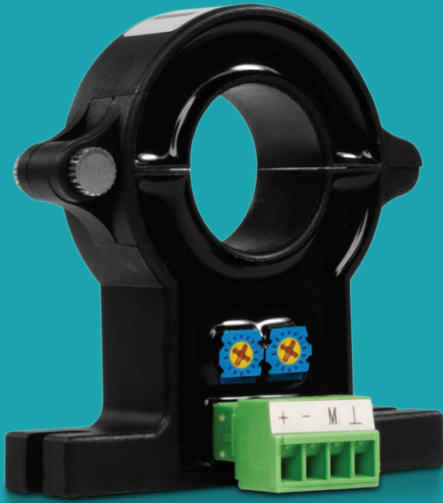
Ordering Information

	Model	Rated Input	Rated Output	Directional
Ordering Number	-	:	-	-
Ordering Example	HAK21	- 100	: A2	- B
		50: 50A	A2: 4-20mA	Blank - Uni-directional
		100: 100A	A3: 0-5V	B - Bi-directional
		200: 200A		

HAK Series

HAK40

Hall Effect DC Current Sensor Datasheet



The HAK Series Hall effect DC current sensors provide precision measurements of DC current up to 1000A with a standard 4-20mA or 0-5V output signal for broad compatibility. Featuring a hinged split-core design for fast, easy installation into existing systems, the HAK provides accurate 0.5% measurements for any DC project and is available as either a uni-directional or bi-directional device.

Features

- Accuracy class: 0.5%
- Multiple current input options for wide compatibility
- Two available output options: 4-20mA or 0-5V
- Features a split-core design for fast installation
- Measure up to 1000A DC current (depending on model)
- Choose uni-directional or bi-directional measurements



Accuenergy (Canada) Inc.
 Los Angeles - Toronto - Beijing - Pretoria
 North America Toll Free: 1-877-721-8908
 Web: www.accuenergy.com
 Email: marketing@accuenergy.com

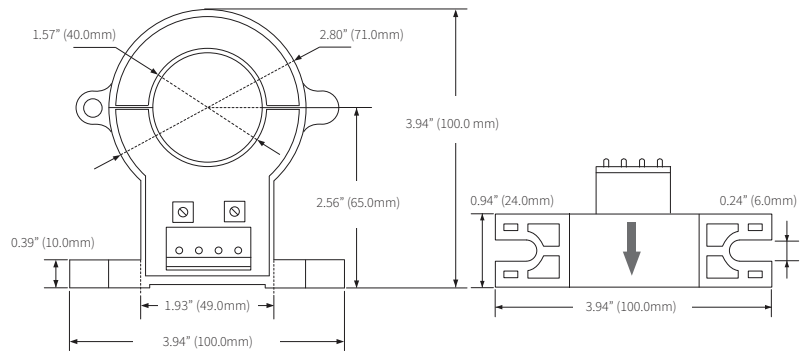
Revision Date: Oct 2021 Version: 1.0.1
 Specs Subject To Change Without Notice



Specifications

RATED CURRENT	400A, 600A, 1000A
Current Range	10-120% of rated current
Output	4-20mA or 0-5V
Accuracy	0.5%
MECHANICAL/ENVIRONMENTAL	
Form Factor	Hinged Split-Core CT
Window Size	Ø 40.0mm (1.58")
Exterior Dimensions	100.0mm x 100.0mm x 24.0mm 3.94" x 3.94" x 0.94"
Case Material	Epoxy encapsulated housing, UL 94V-0
Operating Temperature	-10°C to 85°C / 14°F to 185°F
Storage Temperature	-40°C to 90°C / -40°F to 194°F
Operating Humidity	Non-condensing, 0 to 95% RH
Installation Conditions	Indoor Use
ELECTRICAL	
Wire Polarity	Follow markings on terminal block connector
Phase Orientation	Choose: Uni- or Bi-Directional
Frequency Range	DC
Power Supply	±15V
SAFETY/COMPLIANCE	
Dielectric Strength	5,000V RMS @ 50HZ for 1 minute
Certifications	CE, RoHS

Dimensions



Ordering Information

	Model	Rated Input	Rated Output	Directional
Ordering Number	-	:	-	
Ordering Example	HAK40	- 600	: A2	- B
	400: 400A	A2: 4-20mA	Blank -	Uni-directional
	600: 600A	A3: 0-5V	B -	Bi-directional
	1000: 1000A			