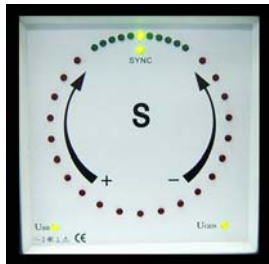


Basic Series • Square Panel Meters

For Synchronising (LED Synchroscope Meters)



DSK 96

Description

Microprocessor based synchronising meter with sync check relay.

Display

LED Rotation 360° LED indication

Indication Light Bus voltage, Gen voltage, Sync check relay

Mechanical Design

Housing Material Polycarbonate, self-extinguishing and drip-proof per UL94V-0

Mounting Fasteners Screw Clamp

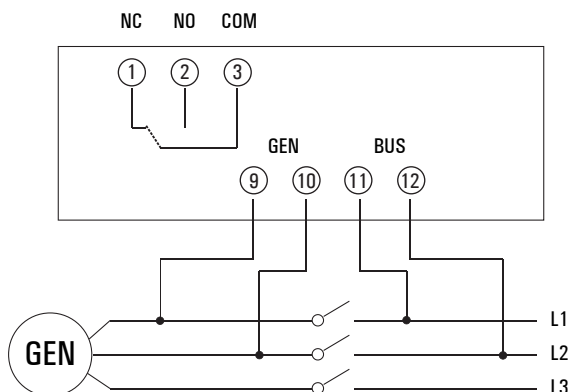
Scale Scales may only be replaced under voltage-free conditions!

Replaceable Front frames and glass windows
Scales may only be replaced under voltage-free conditions!

Terminals Self-lifting terminals. Screws can be turned with a cross-head or standard screw drivers

Contact Protection Finger-safe terminal

Connection Diagram



LED, 360° scale white, imprint black

Narrow front frame matt black per DIN 43 718, anti-glare glass

| | |
|---|--|
| Front Dimensions mm Type | 96 x 96 DSK96 |
| 11 Green LED Indicator 21 Red LED Indicator (Normal) Relay Contacting Overload | $\pm 3^\circ$ $\pm 15^\circ$ AC 250V/5A, DC 30V/5A Conting 1.2 x Un Short time 2 x Un, 3 |
| Approx. Weight Power Consumption Max. Operating Voltage Test Voltage Front Housing-Panel Protection | 0.25 kg < 4VA 600 V 5.8 kV IP 52 |

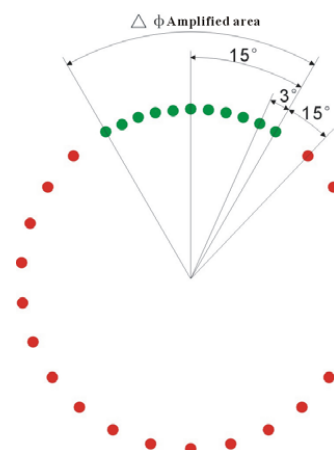
Reference Conditions

| Reference Quantities | Reference Conditions |
|--|---|
| Ambient Temperature Position of Use Frequency Other | 23°C \pm 2°C control panel vertical \pm 1° 45 ... 65 Hz DIN EN 60051 |

Nominal Range of Use Limits

| | |
|---------|--|
| Voltage | Un \pm 20% for alternating Voltage 45 ... 65 Hz |
|---------|--|

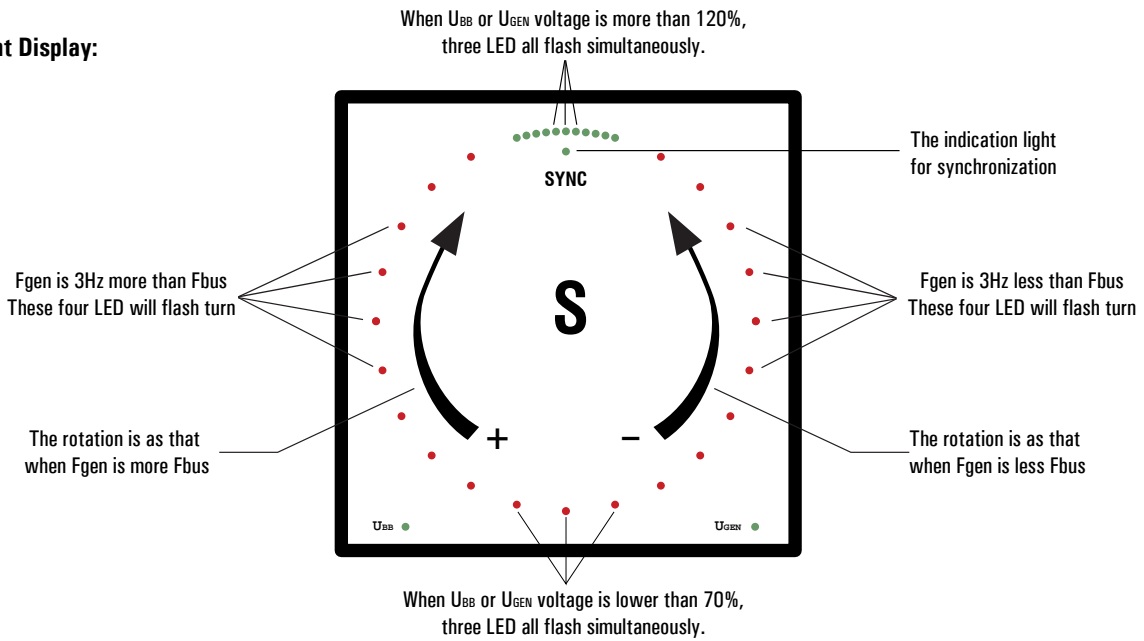
LED indicates the instant phase error $\Delta\phi$. The resolution ratio of red LED is 15°. The resolution ratio of green LED is 3° within $\pm 15^\circ$ of synchro-point. During normal operation period, only one LED lights among the circular bar graph. The position of which indicates practical phase error.



Basic Series • Square Panel Meters

For Synchronising (LED Synchroscope Meters)

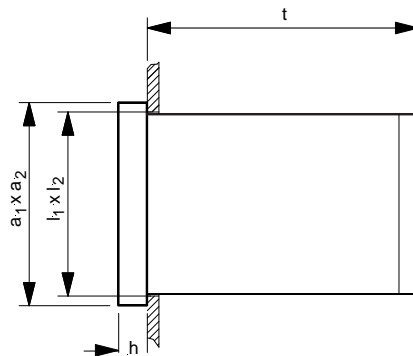
Front Display:



Rear Display:

| | (ΔU) setting | | | $(\Delta \Phi)$ setting | | | Time Delay setting | | | | | | | | | |
|-------------------|----------------------|-----|---------------|-------------------------|------|-----|--------------------|-----|-----|-----|-----|-----|-----|-----|-----|-----|
| | | | | | | | | | | | | | | | | |
| | ΔU | | $\Delta \Phi$ | | Time | | | | | | | | | | | |
| Switch Code | 0 | 1 | 2 | 3 | 4 | 5 | 6 | 7 | 8 | 9 | A | B | C | D | E | F |
| ΔU (%) | 1 | 2 | 3 | 4 | 5 | 6 | 7 | 8 | 9 | 10 | 11 | 12 | 13 | 14 | 15 | 16 |
| $\Delta \Phi$ (°) | 5 | 6 | 7 | 8 | 9 | 10 | 11 | 12 | 13 | 14 | 15 | 16 | 17 | 18 | 19 | 20 |
| Time (s) | 0.1 | 0.2 | 0.4 | 0.6 | 0.8 | 1.0 | 1.2 | 1.4 | 1.6 | 1.8 | 2.0 | 2.2 | 2.4 | 2.6 | 2.8 | 3.0 |

Basic Dimensions



| Front in mm | Nominal Dimensions | | Cutout Dimensions, mm | Installation Depth (t), mm |
|-------------|--------------------|-----|------------------------------|----------------------------|
| | $a_1 \times a_2$ | h | | |
| 96 x 96 | 96 x 96 | 5.5 | $92^{+0.8} \times 92^{+0.8}$ | 126 |