

ANALOGUE OUTDOOR CLOCK

FLEX OUTDOOR

The Flex Outdoor clock is robust and modern and therefore suitable for use in outdoor applications and special indoor environments. It is available in a one-sided or double-sided design.



4 STEPS TO YOUR FLEX OUTDOOR

To make sure your Flex Outdoor meets all your requirements, you can assemble the components individually. You can also choose from optional parts. Naturally, our experts will be happy to help.

1. How big is the Flex Outdoor?

SIZE

The Flex Outdoor is only available in one dial diameter. The reading distance varies depending on the dial, lighting, viewing angle, etc.

Ø	READING DISTANCE
40cm	35-50m



2.

Would you like the one-sided or the two-sided version?

SHAPE

For the two-sided Flex Outdoor, you can order two identical Flex Outdoor models and the installation set (see page 4)

3. Pick your time code variant:

TIME CODE

Code	Time code	Ø	Power supply	Hands	Movement	Max. power consumption	Accuracy (synchronized)	Loss of signal
MOBALINE SELF-SETTING: MXX								
M00	MOBALine	25-40	MOBALine	h/m	SAM 40	< 6mA @ 17VAC (0.1W)	< +/- 100ms	12:00 position after 24 hours
M21	MOBALine	25-40	MOBALine	h/m/s	SEM 40			
NTP (LAN) SELF-SETTING (WITH UNICAST AND MULTICAST): NXX								
N20	NTP	25-40	PoE	h/m	SAN 40	PoEclass 1: <1.9W ¹ / <3.8W ²	< +/- 50ms	12:00 position after 24 hours
N21	NTP	25-40	PoE	h/m/s	SEN 40			

¹ single-sided clock ² cascaded double-sided clock

4. Which dial design do you like?

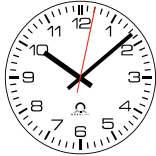
DIAL



dial 120



dial 200



dial 210



dial 300



dial 310



dial 360

YOUR FLEX OUTDOOR IS COMPLETE

You can now order your Flex Outdoor and calculate the corresponding code. Enter the abbreviation for each component of your choice in the bright field and find your Flex Outdoor order code.

My Flex Outdoor clock FO0.

1. Size Ø cm

2. Shape Code

3. Time code Code

4. Dial Code

Glass type Code

Housing type Code

Sequence number Code

Example order code



General properties

The following properties apply to all Flex Outdoor clocks:

Cover glass	Mineral glass
Housing	Aluminium (RAL 9002)

Standards

Depending on the movement used in your Flex Outdoor clock, the following standards apply:

MOVEMENT(S)	STANDARDS
SAM 40 SEM 40 SAN 40 SEN 40	2011/65/EU / 2014/30/EU / 2014/35/EU / 2016/797/EU EN 50121-4 / EN 60950-1 / EN 61000-6-2 / EN 61000-6-3

All Flex Outdoor clocks are compliant with CE, RoHS and REACH.

	1.	2.	3.	4.
FO	0.	40.	R1.	M21.
Flex Outdoor				120.
no illumination ¹				0.
Ø 40cm ¹				07.
round, single-sided ²				0000
movement SEM 40				
dial 120				
mineral glass ¹				
standard housing ¹				
sequence number ³				

¹ standard, cannot be changed

² standard, cannot be changed; see double-sided clock information on page 2

³ The sequence number denotes special versions (e.g. clocks with a special dial). When ordering, please indicate the sequence number with 0000 (standard version); we will adapt this for any special version. Special versions can be reordered at any time stating the sequence number.

INSTALLATION VARIANTS



FO.40.WS

Wall and ceiling set

Suspension with clamping ring, made of steel.



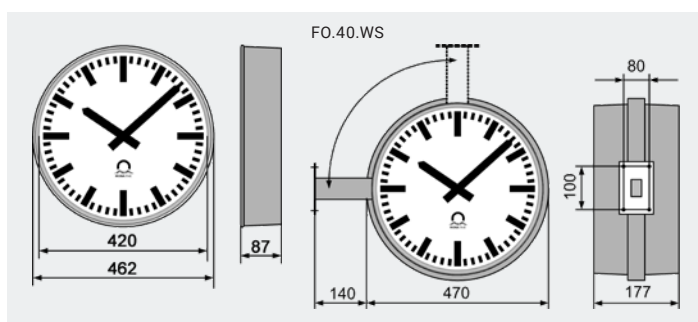
FO.40.BA

Blind cover

Rear cover of suspended single-sided clocks, made of steel.

TECHNICAL DATA

TECHNICAL DATA	FLEX OUTDOOR
Operating conditions	-30 to +70 °C (0 to 95% relative humidity, non-condensing)
Degree of protection	IP 65
Weight	<3kg (single-sided clock, without suspension)



All dimensions in mm.