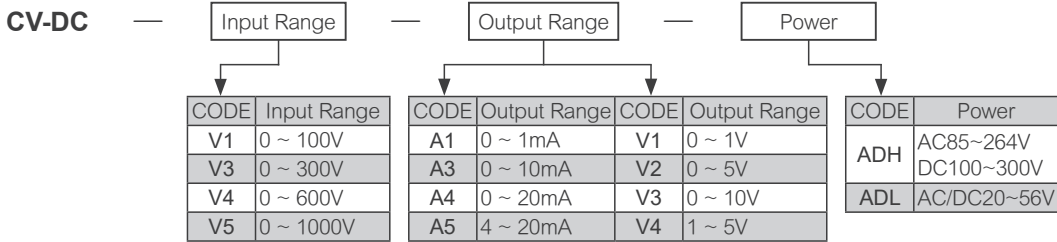


Features

- Measuring high DC voltage, suitable for solar system voltage measurement
- Output range programmable by DIP switch
- Low output ripple
- Resistant to high impulse voltage & surge protection
- High stability & low cost



Ordering



Specification Information

Input:

Input Range	Input Resistance
0 ~ 100V _{dc}	1MΩ
0 ~ 300V _{dc}	3MΩ
0 ~ 600V _{dc}	3MΩ
0 ~ 1000V _{dc}	4MΩ

Output

Output Range	Load Resistance	Output Ripple
0 ~ 1V	≥ 500Ω	≤ 0.1% of F.S.
0 ~ 5V	≥ 500Ω	
0 ~ 10V	≥ 1KΩ	
1 ~ 5V	≥ 500Ω	
0 ~ 1mA	≥ 11KΩ	
0 ~ 10mA	≥ 1100Ω	
0 ~ 20mA	≥ 550Ω	
4 ~ 20mA	≥ 550Ω	

- Accuracy : ≤ ±0.2% of F.S.
 Waveform effect : ≤ 0.1% of F.S.
 Max. input over: Voltage: 1.5 x rated continuous (1Kv Max)
 2 x rated for 10 seconds (1Kv Max)
 4 x rated for 2 seconds (1Kv Max)
 Response time: ≤ 250 mS
 Span adjustment: ≤ ±5% of F.S. (or ±20% of F.S. specify)
 Zero adjustment: ≤ ±2% of F.S. (or ±20% of F.S. specify)

Power Supply

- Power supply: ADH: AC 85~264V, DC 100~300V
 ADL: AC / DC 20~56V
 Power consumption: ≤ 7VA / 2W

Environmental Characteristics

- Operating temperature: 0~60°C
 Operating relative humidity: 20~95 %RH, non-condensing
 Temperature coefficient: ≤ 100 PPM/°C
 Storage temperature: -10~70°C

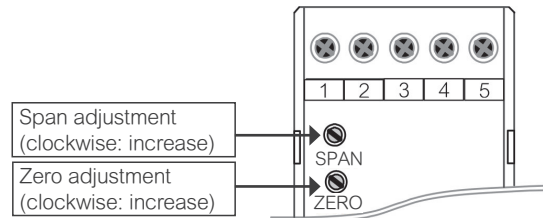
Electrical Safety

- Dielectric Strength: AC 2KV, 50/60Hz, for 1 min
 Between Input / Output / Power / Case
 Insulation resistance: ≥ 100MΩ, DC 500V
 Safety: IEC 414, BS 5458
 Enclosure: IEC 529 (IP50)

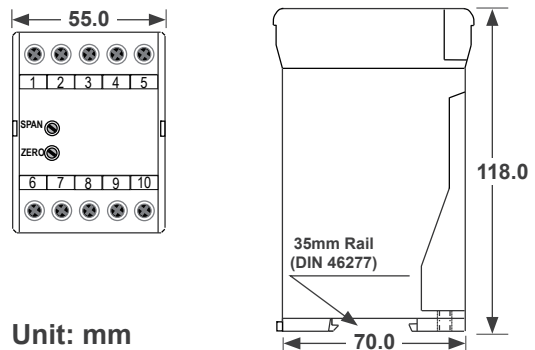
Mechanical Characteristics

- Case material: ABS Non-flammable (UL 94V-0)
 Mounting: Wall or DIN rail (EN 50022)
 Weight: under 450g

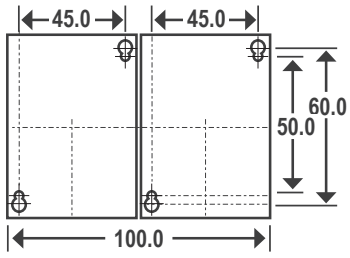
Adjustment



Dimensions

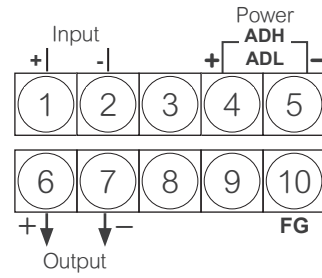


Installation



Unit: mm

Pin Assignment



CV-DC

Output Range Programming

Output	Dip Switch(SW1)							
	1	2	3	4	5	6	7	8
0 ~ 1mA					on			
0 ~ 10mA					on	on		
0 ~ 20mA					on		on	
4 ~ 20mA	on				on		on	
0 ~ 1V		on	on	on				on
0 ~ 5V			on	on				on
0 ~ 10V				on				on
1 ~ 5V	on		on	on				on

*Blank is OFF



Regional Distributor

Amtron (S) Pte Ltd
 2 Sims Close, #01-05, GEMINI@SIMS
 Singapore 387298
 Tel: +65 6347 8800
 Email: business@amtron.com.sg
 Website: amtron.com.sg