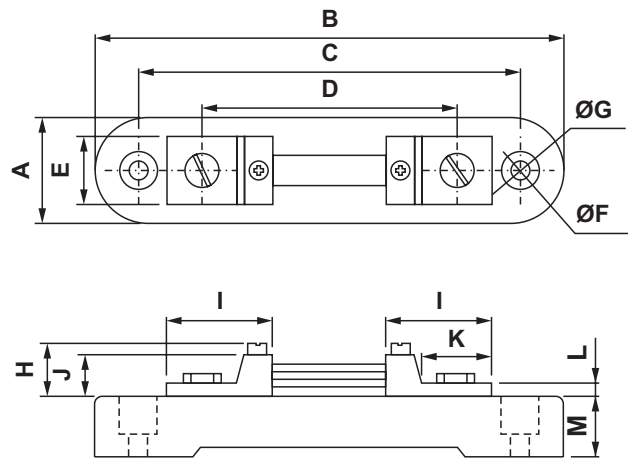


SHUNT RESISTORS

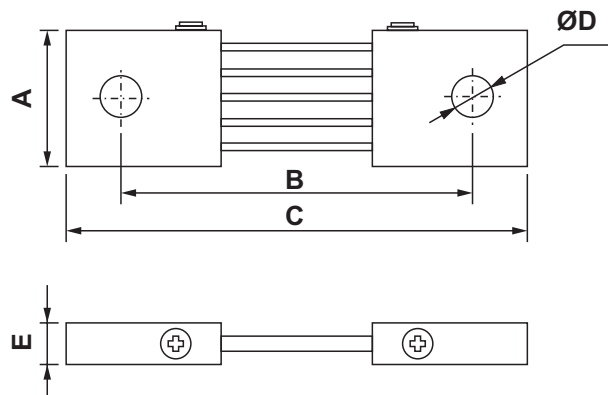
Model : SD-10A-200A



Outline and Fixing Dimension: (mm)

Model	A	B	C	D	E	F	G	H	I	J	K	L	M
SD-10A / 50~100mV 2	31	136	110	73	20	6	12	17	32	13	21	5	17
SD-150A / 50~100mV													
SD-200A / 50~100mV	31	136	110	67	20	6	12	17	29	15	-	-	17

Model : SD-200A-600A



Outline and Fixing Dimension: (mm)

Model	A	B	C	D	E
SD-200A / 50~100mV	32	89	116	9	10
SD-250A / 50~100mV	41	86	116	10	12
SD-300A / 50~100mV	34	86	118	12	20
SD-400A / 50~100mV	45	86	119	12	20
SD-500A / 50~100mV	55	86	116	12	20
SD-600A / 50~100mV	55	90	122	12	21

Application

Combined usage with DC panel meters according to rated voltage drop without adjustment.

Specifications

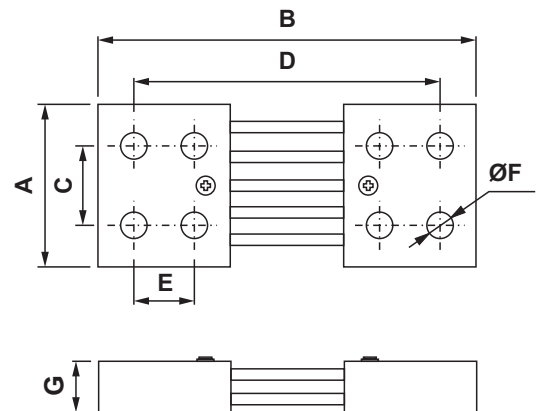
Rated Voltage drop : 50mV ~ 100mV DC
 Accuracy : Class 0.5
 Material of shunt resistor : Manganin

The specifications are subject to change without notice.

AIS-0607-01 v01

SHUNT RESISTORS

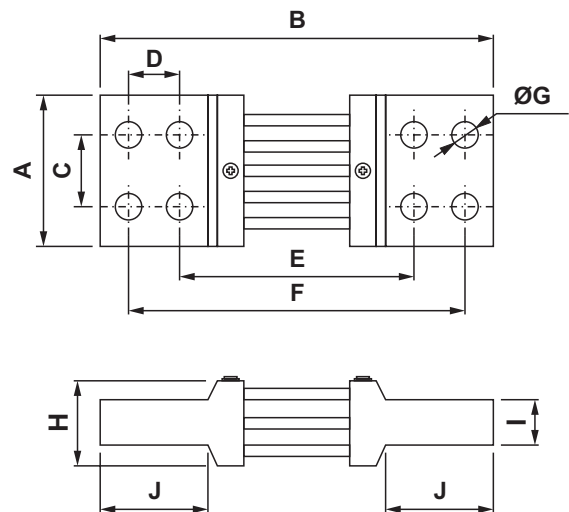
SD-800A-2000A



Outline and Fixing Dimension: (mm)

Model	A	B	C	D	E	F	G
SD-800A / 50~100mV	70	122	35	90	-	12	21
SD-1000A / 50~100mV	70	159	35	121	-	12	21
SD-1500A / 50~100mV	100	159	49	119	-	12	21
SD-2000A / 50~100mV	100	190	50	166	38	14	39

SD-3000A-5000A



Outline and Fixing Dimension: (mm)

Model	A	B	C	D	E	F	G	H	I	J
SD-3000A / 50~100mV	103	273	55	45	142	232	14	64	28	90
SD-4000A / 50~100mV	110	292	50	50	153	253	17	82	34	97
SD-5000A / 50~100mV	128	315	60	54	163	271	17	106	41	100

Application

Combined usage with DC panel meters according to rated voltage drop without adjustment.

Specifications

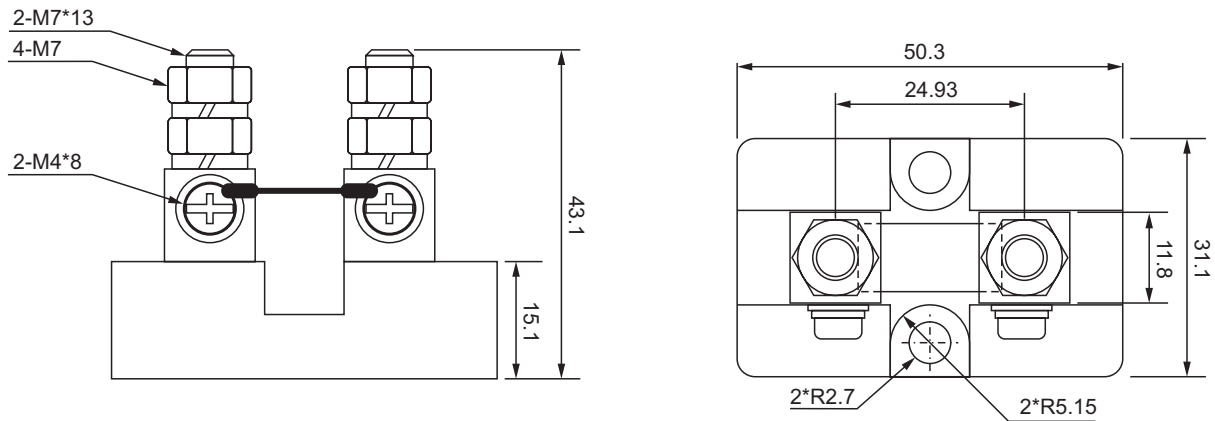
- Rated Voltage drop : 50mV ~ 100mV DC
- Accuracy : Class 0.5
- Material of shunt resistor : Manganin

The specifications are subject to change without notice.

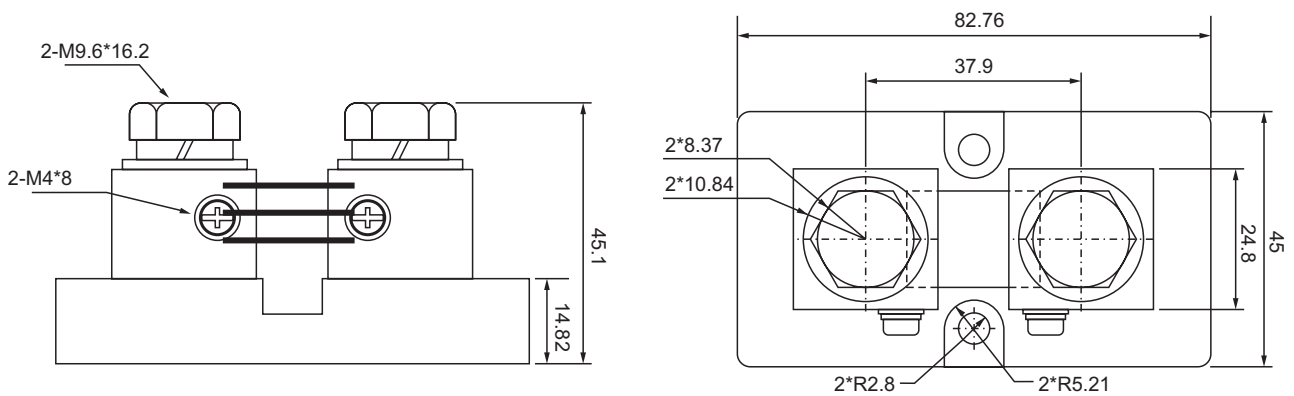
BEW-0607-02 v02

MINI SHUNT RESISTORS

Model : SM-10A-160A / 60MV



Model : SM-170A-600A/60MV



Application

Combined usage with DC panel meters according to rated voltage drop without adjustment.

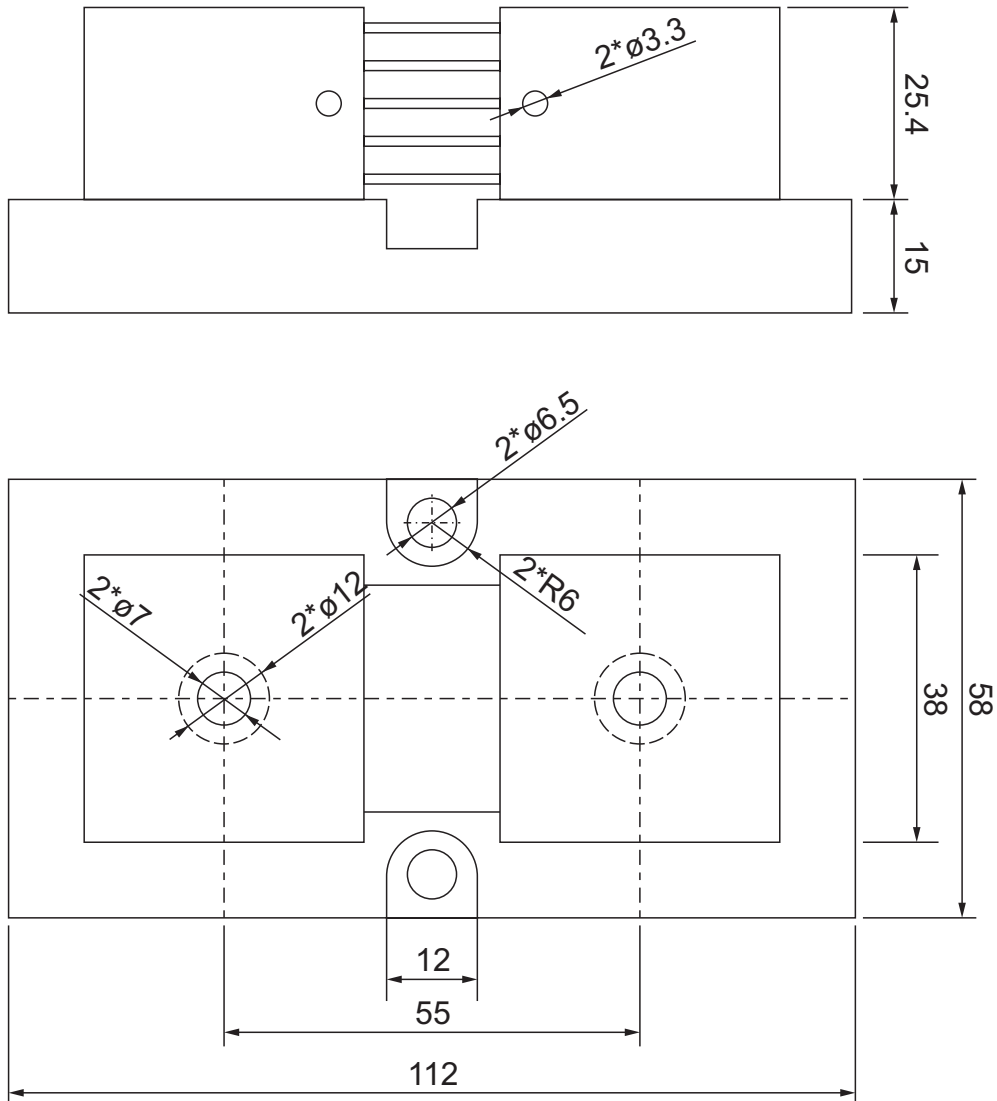
Specifications

Rated Voltage drop	:	50mV ~60mV DC
Accuracy	:	Class 0.5
Material of shunt resistor	:	Manganin

The specifications are subject to change without notice.

MINI SHUNT RESISTORS

SM-800A-1200A / 60mV



Application

Combined usage with DC panel meters according to rated voltage drop without adjustment.

Specifications

Rated Voltage drop : 50mV ~ 60mV DC
 Accuracy : Class 0.5
 Material of shunt resistor : Manganin

The specifications are subject to change without notice.

AIS-0716-02 v02